

FEATURES

- Complete Solution Under 1.2mm
- Develops Three Outputs from a 3.3V or 5V Supply
- Externally Programmable V_{ON} Delay
- Fixed Frequency Low Noise Outputs
- All Ceramic Capacitors
- 3MHz Switching Frequency
- Fast Transient Response
- Few External Components Required
- 2.7V to 8V Input Range
- Adjustable AV_{DD} and V_{ON} Voltages
- Tiny 10-Lead MSOP Package

APPLICATIONS

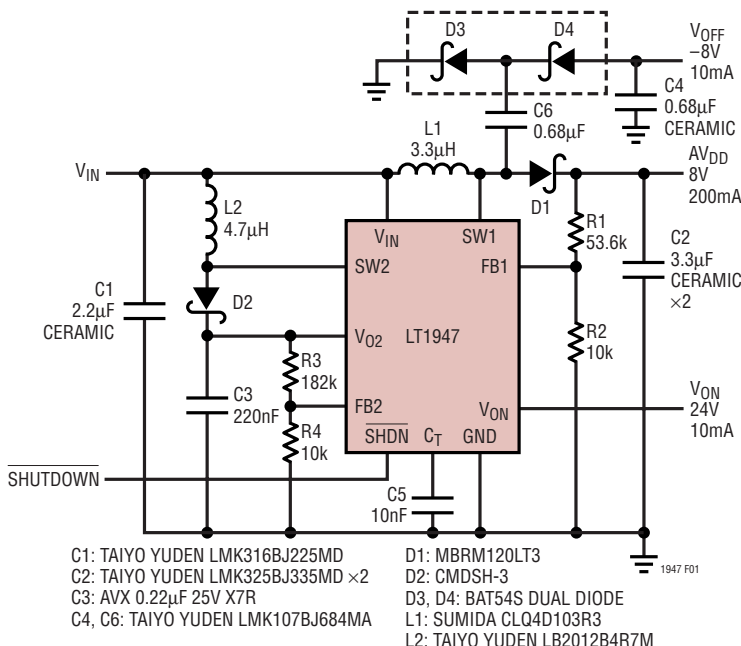
- TFT-LCD Notebook Display Panels
- TFT-LCD Desktop Monitor Display Panels
- Digital Cameras
- Handheld Computers

DESCRIPTION

The LT[®]1947 is a highly integrated multiple output DC/DC converter designed for use in TFT-LCD panels. The device contains two independent switching regulators. The main regulator has an adjustable output voltage with an internal 1.1A switch that can generate a boosted voltage as high as 30V. The second regulator's output is also adjustable up to 30V and can deliver 10mA for positive bias. A simple level-shift charge pump off the main switch node generates the negative bias voltage. An external capacitor sets the delay time from AV_{DD} 's final value to the rising edge at the V_{ON} pin. The 3MHz switching frequency allows the use of tiny low profile chip inductors and capacitors throughout, providing a low noise, low cost total solution with all components under 1.2mm in height. The device operates from an input range of 2.7V to 8V and is available in a 10-lead MSOP package.

LT, LTC and LT are registered trademarks of Linear Technology Corporation.

TYPICAL APPLICATION



Start-Up Waveforms

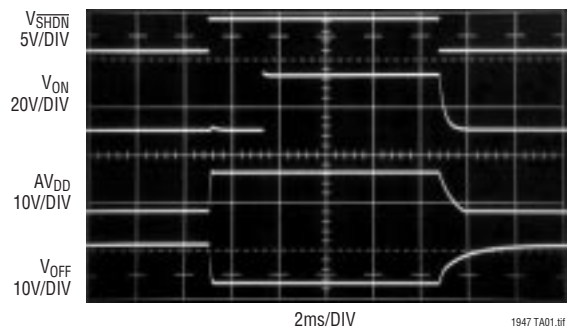


Figure 1. 3.3V Powered TFT-LCD Bias Generator

ABSOLUTE MAXIMUM RATINGS

(Note 1)

V_{IN} Voltage	8V
C_T Voltage	6V
SW1, SW2 Voltage	36V
V_{ON} , V_{O2} Voltage	30V
FB1, FB2	3V
\overline{SHDN}	8V
Operating Temperature Range (Note 2) ..	-40°C to 85°C
Lead Temperature (Soldering, 10 sec)	300°C

PACKAGE/ORDER INFORMATION

<p>MS PACKAGE 10-LEAD PLASTIC MSOP $T_{JMAX} = 125^{\circ}C, \theta_{JA} = 120^{\circ}C/W$</p>	ORDER PART NUMBER
	LT1947EMS
	MS PART MARKING
	LTUE

Consult LTC Marketing for parts specified with wider operating temperature ranges.

ELECTRICAL CHARACTERISTICS

The ● denotes the specifications which apply over the full operating temperature range, otherwise specifications are at $T_A = 25^{\circ}C$. $V_{IN} = 3.3V$, $V_{\overline{SHDN}} = 3.3V$ unless otherwise specified.

SYMBOL	CONDITIONS	MIN	TYP	MAX	UNITS
Input Voltage Range		2.7		8	V
Supply Current	$\overline{SHDN} = 2.4V$ $\overline{SHDN} = 0V$		9.5	12.5	mA μA
FB1 Voltage		● 1.240 1.225	1.26	1.280 1.295	V V
FB2 Voltage		● 1.225 1.210	1.26	1.295 1.310	V V
Reference Line Regulation	$V_{IN} = 2.7V$ to 8V		0.01	0.05	%/V
Error Amplifier Voltage Gain	EA1 and EA2		100		V/V
C_T Current Source	$V_{FB1} = 1.3V$	4	5.5	6.5	μA
C_T Threshold to Turn On Q3		1.25	1.28	1.30	V
FB1 Voltage to Begin C_T Charge		1.17	1.2	1.23	V
SW1 Current Limit	(Note 3)	1.1	1.4	2	A
SW2 Current Limit	(Note 3)	0.35	0.6	1	A
SW1 Saturation Voltage	$I_{SW1} = 800mA$		0.230	0.280	V
SW2 Saturation Voltage	$I_{SW2} = 300mA$		0.3	0.36	V
SW1 Maximum Duty Cycle		82			%
SW2 Maximum Duty Cycle			85		%
Oscillator Frequency		● 2.3	3	3.5	MHz
V_{ON} Switch Drop	$I_{Q3} = 7mA$		160	200	mV
SW1 Leakage Current	Switch Off, SW1 = 3.3V		0.01	5	μA
SW2 Leakage Current	Switch Off, SW2 = 3.3V		0.01	5	μA
\overline{SHDN} Pin Bias Current	$V_{\overline{SHDN}} = 2.4V$		10	25	μA
\overline{SHDN} Pin High	Active Mode	2.4			V
\overline{SHDN} Pin Low	Shutdown Mode			0.4	V

Note 1: Absolute Maximum Ratings are those values beyond which the life of a device may be impaired.

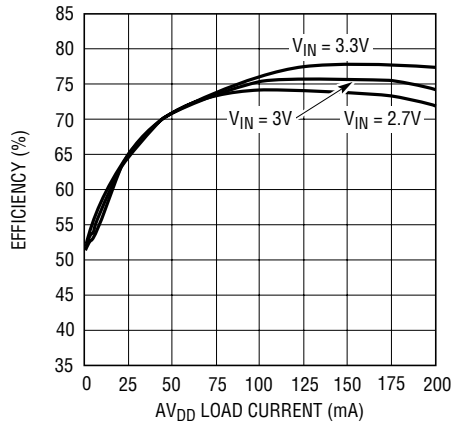
Note 2: The LT1947 is guaranteed to meet performance specifications from 0°C to 70°C. Specifications over the -40°C to 85°C operating

temperature range are assured by design, characterization and correlation with statistical process controls.

Note 3: Switch current limit guaranteed by design and/or correlation to static tests.

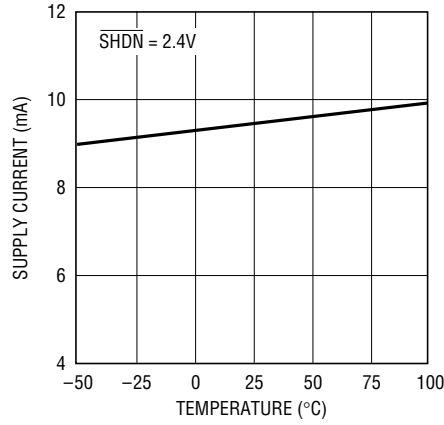
TYPICAL PERFORMANCE CHARACTERISTICS

3.3V TFT-LCD Converter Efficiency



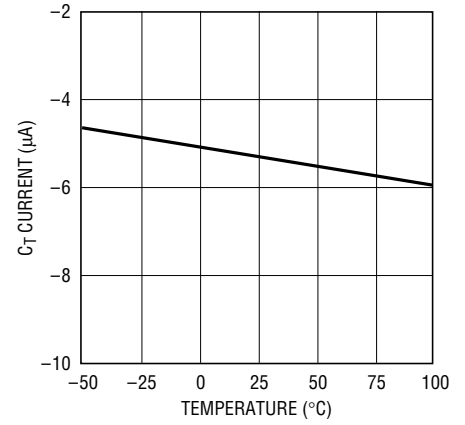
1947 G01

Supply Current



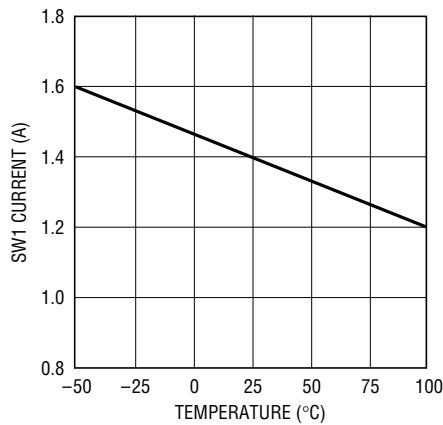
1947 G02

CT Current Source



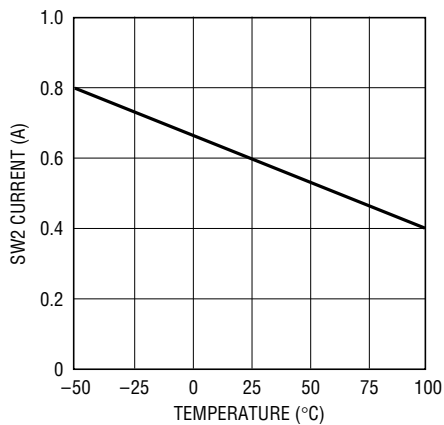
1947 G03

SW1 Current Limit



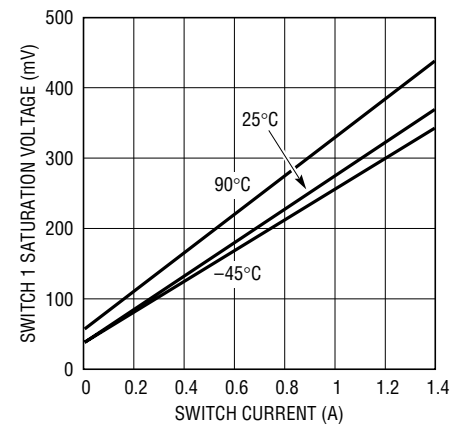
1947 G04

SW2 Current Limit



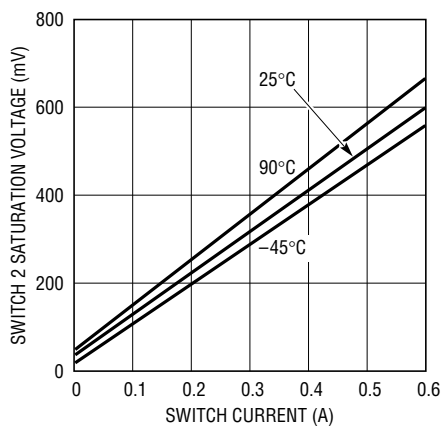
1947 G05

Switch 1 Saturation Voltage



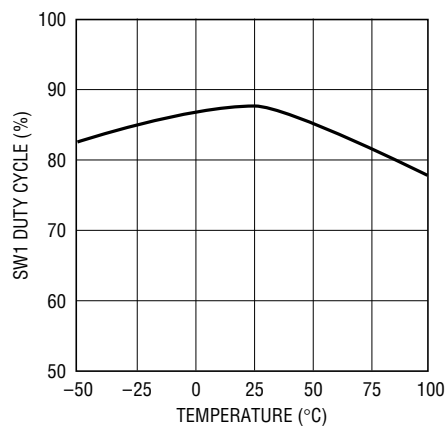
1947 G06

Switch 2 Saturation Voltage



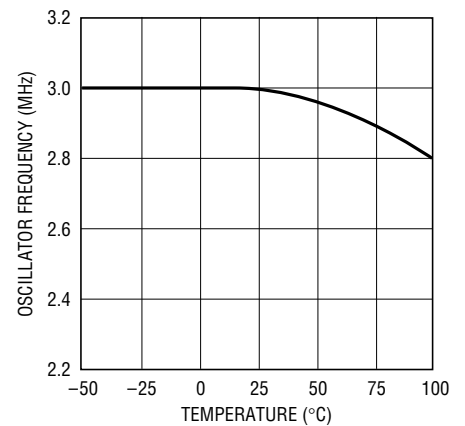
1947 G07

SW1 Maximum Duty Cycle



1947 G08

Oscillator Frequency



1947 G09

PIN FUNCTIONS

FB1 (Pin 1): Feedback Pin for First Switcher. Connect resistor divider tap here. Set AV_{DD} according to: $AV_{DD} = 1.26V(1 + R1/R2)$.

FB2 (Pin 2): Feedback Pin for Second Switcher. Connect resistor divider 2 here and set V_{ON} using: $V_{ON} = 1.26V(1 + R3/R4) - 160mV$.

C_T (Pin 3): Timing Capacitor Pin. Connect a 10nF capacitor from C_T to ground to program a 2.3ms delay from FB1 reaching 1.26V to V_{ON} turning on.

SW1 (Pin 4): AV_{DD} Switch Node. Connect L1 and D1 here (see Figure 1). Minimize trace area at this pin to keep EMI down.

GND (Pin 5): Ground. Connect directly to local ground plane.

V_{IN} (Pin 6): Input Supply Pin. Must be bypassed with a ceramic capacitor close to the pin.

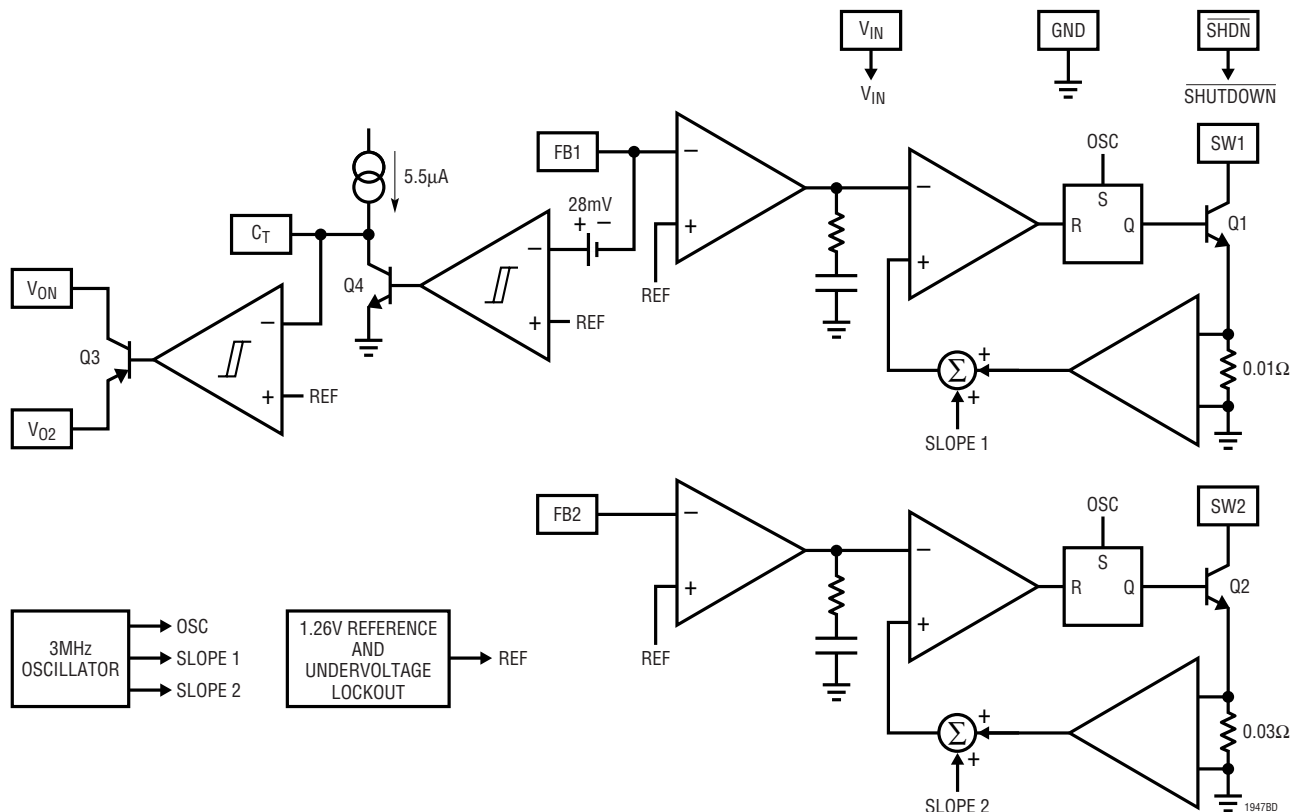
SW2 (Pin 7): V_{O2} Switch Node. Connect L2 and D2 here. Minimize trace area at this pin to keep EMI down.

SHDN (Pin 8): Pull this pin low for shutdown mode. For normal operation, tie to a voltage between 2.4V and 8V.

V_{O2} (Pin 9): SW2 Output. This node is also internally connected to the emitter of Q3 (see Block Diagram), the high side switch between V_{O2} and V_{ON} .

V_{ON} (Pin 10): This is the delayed output for SW2. V_{ON} reaches its programmed voltage after the internal timer times out.

BLOCK DIAGRAM



OPERATION

To best understand operation of the LT1947, please refer to the LT1947 Block Diagram. The device contains two switching regulators, a timer and a high side switch. Three outputs can be generated: an adjustable AV_{DD} output, a charge-pumped inversion of the AV_{DD} output called V_{OFF} , and a time delayed adjustable output called V_{ON} . Q3 keeps V_{ON} off for an externally set time interval, set by a capacitor connected to the C_T pin.

The switching frequency of both switchers is 3MHz, set internally. The switchers are current mode and are internally compensated. The main AV_{DD} switcher is current limited at 1.1A, while the second V_{ON} switcher is limited to 350mA. They share the same 1.26V reference voltage. When the input voltage is below approximately 2.7V, an undervoltage lockout circuit disables switching.

When AV_{DD} is less than its final voltage, Q4 is turned on, holding the C_T pin at ground. When AV_{DD} reaches final value, Q4 lets go of the C_T pin, allowing the 5.5 μ A current source to charge the external capacitor, C_T . When the voltage on the C_T pin reaches 1.28V, Q3 turns on,

connecting V_{O2} to V_{ON} . Capacitor value can be calculated using the following formula:

$$C = (5.5\mu A \cdot t_{DELAY})/1.28V$$

A 10nF capacitor results in approximately 2.3ms of delay.

Layout Hints

The high speed operation of the LT1947 mandates careful attention to layout for proper performance. Be sure to keep input capacitor C1 as close as possible to the IC and minimize trace area and length at the SW and FB pins. Always use a ground plane under the switching regulator to minimize interplane coupling. Figure 2 shows the recommended component placement.

Soft-Start

For applications requiring soft-start, a circuit consisting of R_{SS} and C_{SS} tied to the SHDN pin can be used, as shown in Figure 3. For a combination of 33.2k/33nF, AV_{DD} rises to its final value in approximately 3ms.

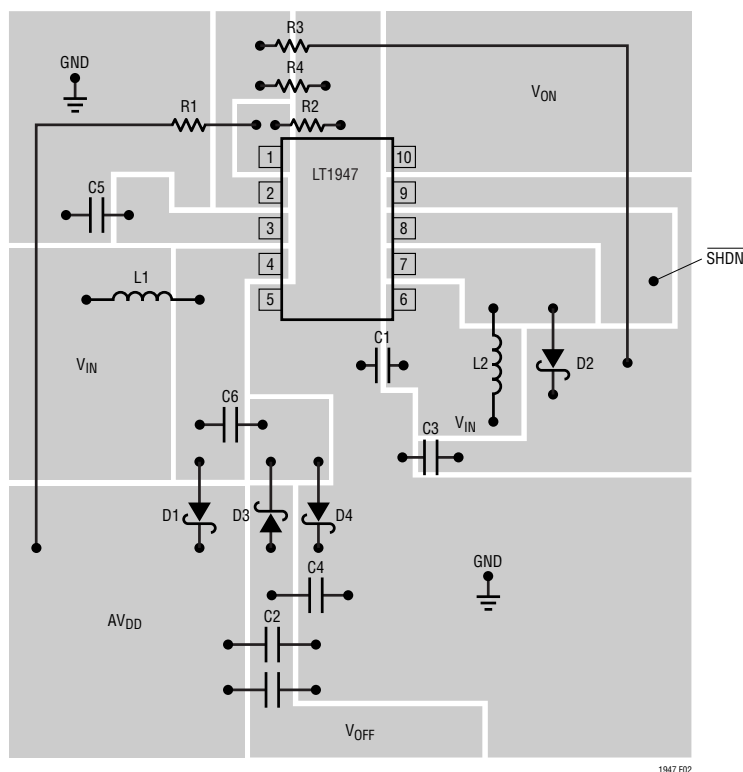


Figure 2. Recommended Component Placement

1947 F02

OPERATION

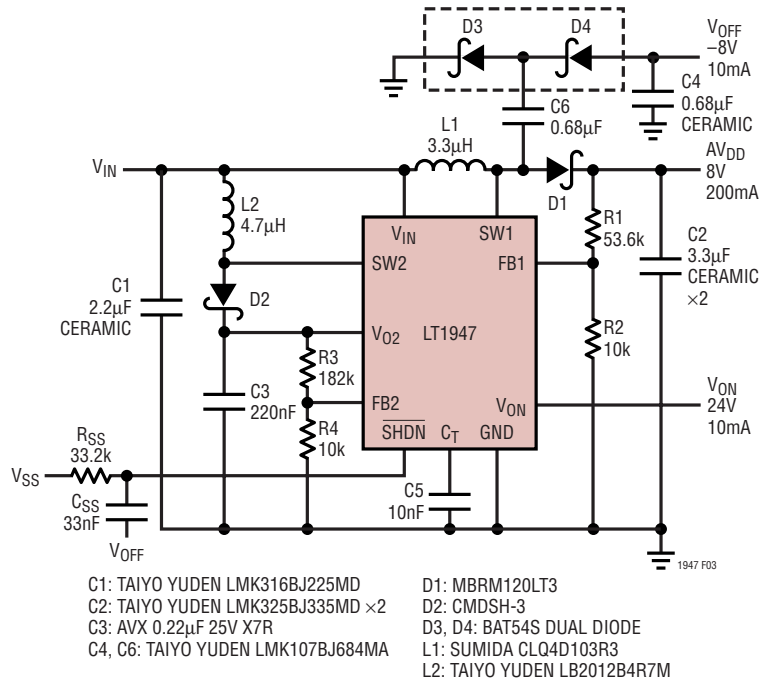


Figure 3. R_{SS} and C_{SS} at \overline{SHDN} Pin Provide Soft-Start

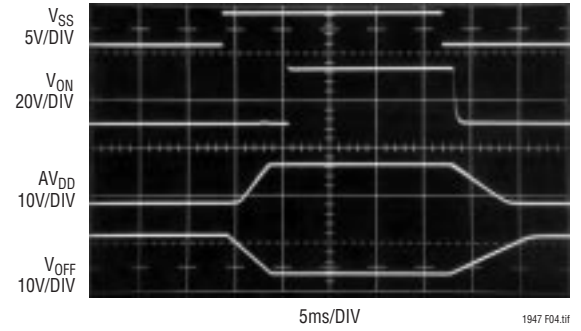
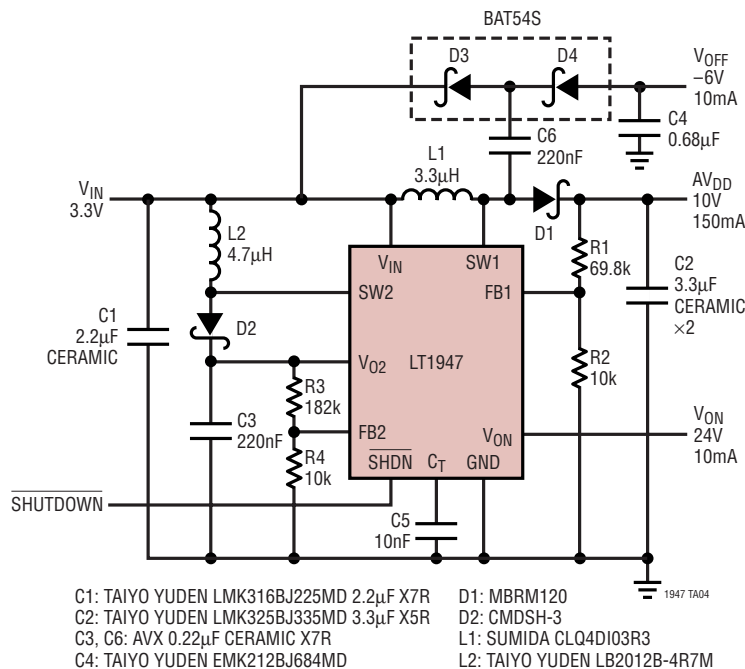


Figure 4. Start-Up Waveforms with Soft-Start Circuit Added

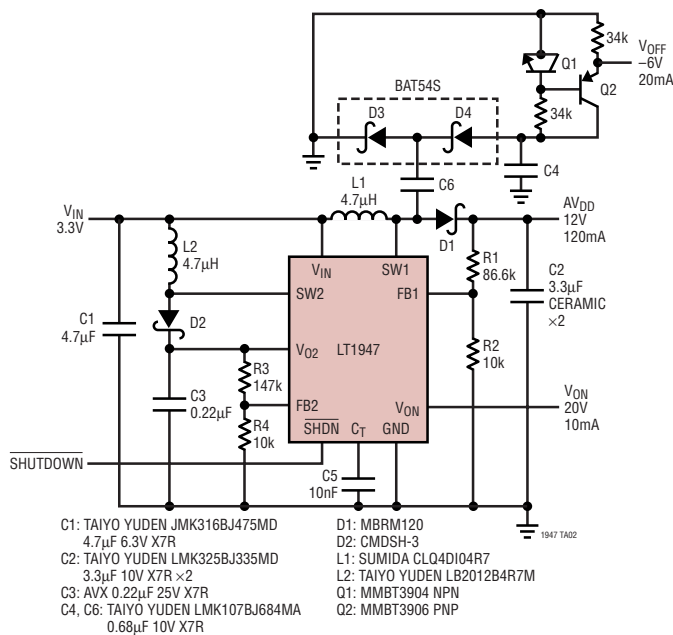
TYPICAL APPLICATIONS

TFT-LCD Bias Generator: 10V, 24V, -6V Output



TYPICAL APPLICATIONS

TFT-LCD Bias Generator: 12V, 20V, -6V Output

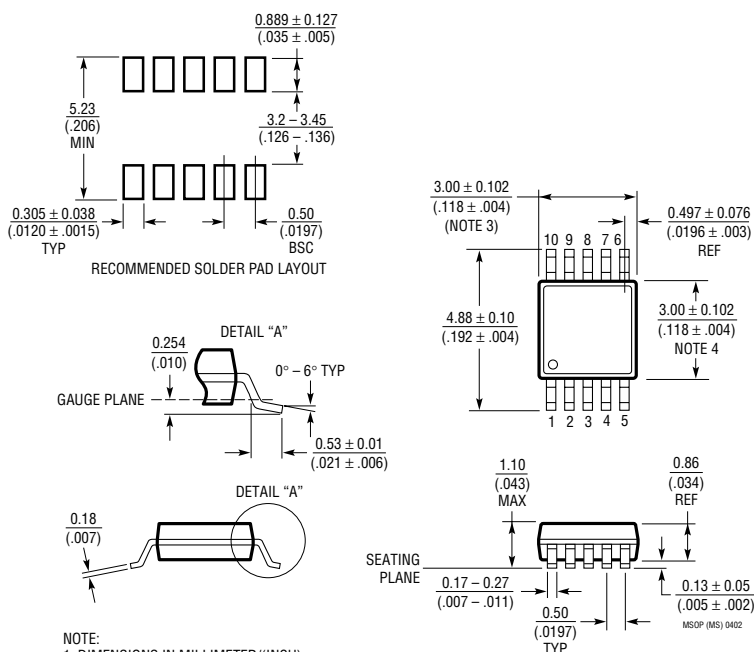


PACKAGE DESCRIPTION

MS Package

10-Lead Plastic MSOP

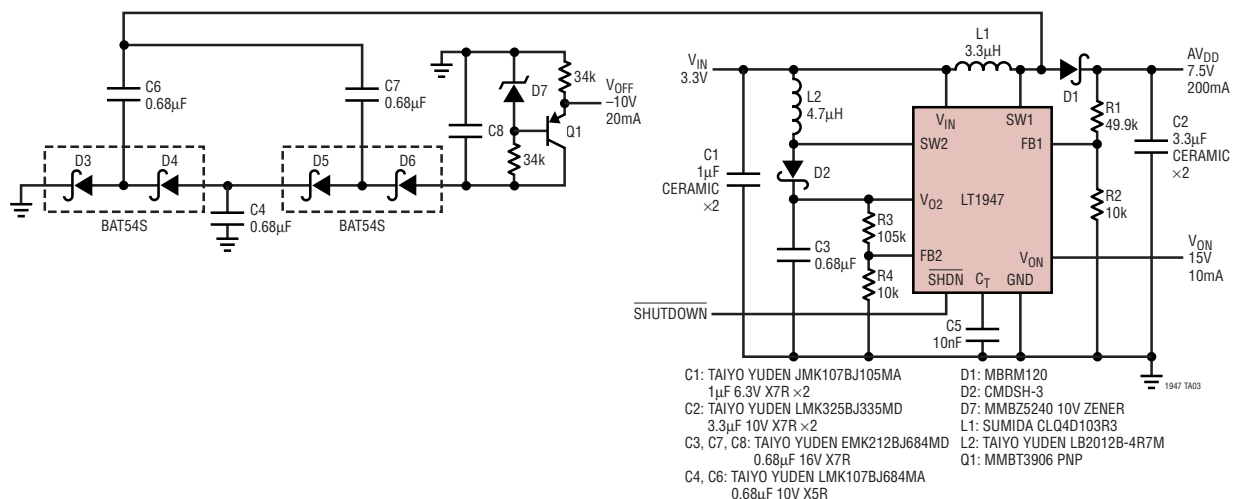
(Reference LTC DWG # 05-08-1661)



- NOTE:
1. DIMENSIONS IN MILLIMETER/(INCH)
 2. DRAWING NOT TO SCALE
 3. DIMENSION DOES NOT INCLUDE MOLD FLASH, PROTRUSIONS OR GATE BURRS. MOLD FLASH, PROTRUSIONS OR GATE BURRS SHALL NOT EXCEED 0.152mm (.006") PER SIDE
 4. DIMENSION DOES NOT INCLUDE INTERLEAD FLASH OR PROTRUSIONS. INTERLEAD FLASH OR PROTRUSIONS SHALL NOT EXCEED 0.152mm (.006") PER SIDE
 5. LEAD COPLANARITY (BOTTOM OF LEADS AFTER FORMING) SHALL BE 0.102mm (.004") MAX

TYPICAL APPLICATION

TFT-LCD Bias Generator: 7.5V, 15V, -10V Output



RELATED PARTS

PART NUMBER	DESCRIPTION	COMMENTS
LT1310	1.5A I _{SW} , 4.5MHz, High Efficiency Step-Up DC/DC Converter	V _{IN} = 2.75V to 18V, V _{OUT} Max = 35V, I _Q = 12mA, I _{SHDN} = <1µA, MS10E
LT1613	550mA I _{SW} , 1.4MHz, High Efficiency Step-Up DC/DC Converter	V _{IN} = 0.9V to 10V, V _{OUT} Max = 34V, I _Q = 3mA, I _{SHDN} = <1µA, ThinSOT
LT1615/LT1615-1	300mA/80mA I _{SW} , Constant Off-Time, High Efficiency Step-Up DC/DC Converter	V _{IN} = 1.2V to 15V, V _{OUT} Max = 34V, I _Q = 20µA, I _{SHDN} = <1µA, ThinSOT
LT1940	Dual Output 1.4A I _{OUT} , Constant 1.1MHz, High Efficiency Step-Down DC/DC Converter	V _{IN} = 3V to 25V, V _{OUT} Min = 1.2V, I _Q = 2.5mA, I _{SHDN} = <1µA, TSSOP-16E
LT1944	Dual Output 350mA I _{SW} , Constant Off-Time, High Efficiency Step-Up DC/DC Converter	V _{IN} = 1.2V to 15V, V _{OUT} Max = 34V, I _Q = 20µA, I _{SHDN} = <1µA, MS10
LT1944-1	Dual Output 150mA I _{SW} , Constant Off-Time, High Efficiency Step-Up DC/DC Converter	V _{IN} = 1.2V to 15V, V _{OUT} Max = 34V, I _Q = 20µA, I _{SHDN} = <1µA, MS10
LT1945	Dual Output, Pos/Neg 350mA I _{SW} , Constant Off-Time, High Efficiency Step-Up DC/DC Converter	V _{IN} = 1.2V to 15V, V _{OUT} Max = ±34V, I _Q = 20µA, I _{SHDN} = <1µA, MS10
LT1946/LT1946A	1.5A I _{SW} , 1.2MHz/2.7MHz, High Efficiency Step-Up DC/DC Converter	V _{IN} = 2.45V to 16V, V _{OUT} Max = 34V, I _Q = 3.2mA, I _{SHDN} = <1µA, MS8
LT1949/LT1949-1	550mA I _{SW} , 600kHz/1.1MHz, High Efficiency Step-Up DC/DC Converter	V _{IN} = 1.5V to 12V, V _{OUT} Max = 28V, I _Q = 4.5mA, I _{SHDN} = <25µA, MS8, S8
LTC3400/LTC3400B	600mA I _{SW} , 1.2MHz, Synchronous Step-Up DC/DC Converter	V _{IN} = 0.85V to 5V, V _{OUT} Max = 5V, I _Q = 19µA/300µA, I _{SHDN} = <1µA, ThinSOT
LTC3401	1A I _{SW} , 3MHz, Synchronous Step-Up DC/DC Converter	V _{IN} = 0.5V to 5V, V _{OUT} Max = 6V, I _Q = 38µA, I _{SHDN} = <1µA, MS10
LTC3402	2A I _{SW} , 3MHz, Synchronous Step-Up DC/DC Converter	V _{IN} = 0.5V to 5V, V _{OUT} Max = 6V, I _Q = 38µA, I _{SHDN} = <1µA, MS10
LTC3423	1A I _{SW} , 3MHz, Low V _{OUT} , Synchronous Step-Up DC/DC Converter	V _{IN} = 0.5V to 5V, V _{OUT} Max = 6V, I _Q = 38µA, I _{SHDN} = <1µA, MS10
LTC3424	2A I _{SW} , 3MHz, Low V _{OUT} , Synchronous Step-Up DC/DC Converter	V _{IN} = 0.5V to 5V, V _{OUT} Max = 6V, I _Q = 38µA, I _{SHDN} = <1µA, MS10